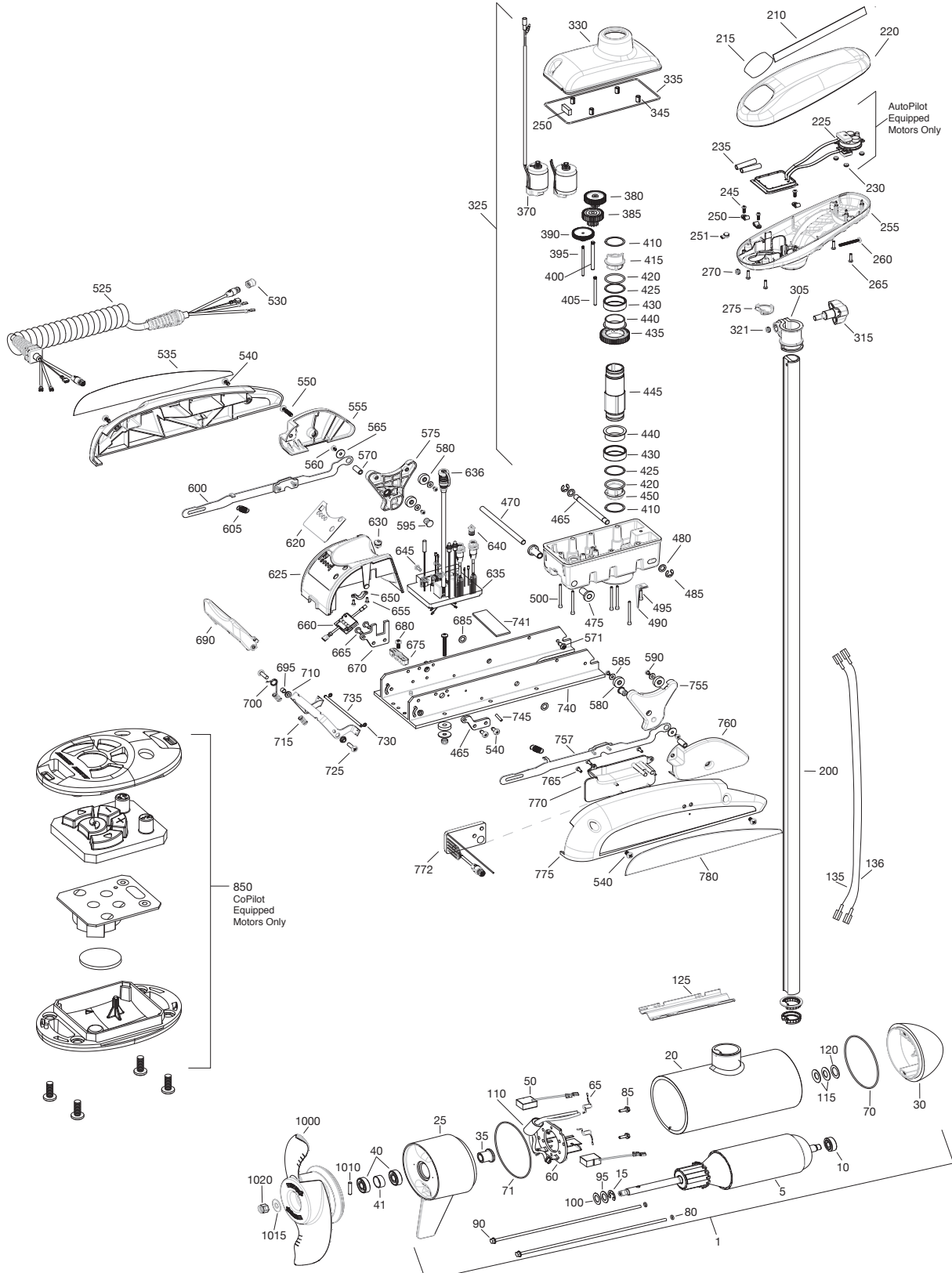


PARTS DIAGRAM

for use with "Q" serial numbers 2-year warranty

RIPTIDE TERROVA 112

112 LBS THRUST - 36 VOLT - 52 AMPS - 60"/72" SHAFT



PARTS LIST

RIPTIDE TERROVA 112

112 LBS THRUST - 36 VOLT - 60"/72" SHAFT

ITEM	QTY	PART NUMBER	DESCRIPTION
1	1	2777091	36V MOTOR 60" SW W/TUBE
	1	2777093	36V MOTOR 72" SW W/TUBE
5	1	2-100-245	ARMATURE ASSEMBLY
10	1	140-014	BEARING
15	1	788-040	RETAINING RING
20			CENTER HSG. W/TUBE [INCLUDED IN #200]
25	1	2-300-151	BRUSH END HOUSING ASSEMBLY
30	1	421-241	PLAIN END HOUSING ASSEMBLY SW
35	1	144-017	FLANGE BEARING
40	2	880-025	SEAL
41	1	725-095	PAPER TUBE - SEAL BORE
50	2	188-095	BRUSH
60	1	9-738-011	BRUSH PLATE ASSEMBLY
65	2	975-045	BRUSH SPRING
■		2881450	SEAL & ORING KIT [INCLUDES 40, 70-80]
70	1	701-098	O-RING, PLAIN END
71	1	701-046	O-RING, BRUSH END
80	2	701-009	O-RING, THRU-BOLT
85	2	2053410	SCREW, 10-32 X 1/2"
90	2	830-094	THRU-BOLT 12-24
95	2	990-051	WASHER, STEEL
100	2	990-052	WASHER, NYLATRON
110	1	2777312	FERRITE BEAD W/SHRINK
115	2	992-011	WASHER, BELLEVILLE
120	1	990-011	WASHER, SHIM
125	1	582-016	CLIP, RETAINING, SONAR
135	1	640-044	LEADWIRE, BLACK 60"
136	1	640-144	LEADWIRE, RED 60"
200	1	2777345	TUBE, COMP. 60" SW [INCLUDES 20]
	1	2777346	TUBE, COMP. 72" SW [INCLUDES 20]
210	2	2325666	DECAL, COVER
215	1	2325690	DECAL, CTRL BOX COVER, RT AUTOPILOT
220	1	2320201	COVER, CTRL BOX
225	1	2324032	CTRL BOARD, COMPASS, AUTOPILOT ONLY
230	3	2302960	GROMMET, COMPASS, AUTOPILOT ONLY
235	2	2305415	WIRE INSULATOR
245	3	2372100	SCREW, 8-18 X .625
250	3	2052510	CABLE CLAMP
255	1	2322501	CONTROL BOX
260	1	2332102	SCREW, 10-24
265	4	2372100	SCREW, 8-18 X .625
270	1	2333101	NUT, 10-24
275	1	2224701	PLUG, CTRL BOX - SMALL HOLE - I-PILOT
	1	2224703	PLUG, CTRL BOX - NO HOLE - STANDARD
	1	2224705	PLUG, CTRL BOX - LARGE HOLE - I-PILOT LINK
305	1	2771500	DEPTH COLLAR ASSEMBLY
315	1	2260906	KNOB [INCLUDED IN #305]
320	1	2321706	WASHER [INCLUDED IN #305]
321	1	2323102	NUT [INCLUDED IN #305, NOT SHOWN]
325	1	2997028	STEERING HSG. ASY. [INCLUDES 330-500]

ITEM	QTY	PART NUMBER	DESCRIPTION
330	1	2326502	STEERING HOUSING TOP
335	1	2324604	O-RING, CASE SEAL
345	4	2302605	ROLL PIN 5/16
350	1	2308601	BREATHER, FILTER
360	1	2302240	PINION GEAR
365	1	2300265	CAP, MOTOR, PLASTIC
■		2777024	DUAL STEERING MOTOR ASSEMBLY, 36V
370	1	2777025	MOTOR, STEERING, 36V
380	1	2302255	GEAR, CLUSTER 3RD STAGE
385	1	2302250	GEAR, CLUSTER 2ND STAGE
390	1	2302245	GEAR, CLUSTER 1ST STAGE
395	1	2302610	SHAFT, GEAR 1ST STAGE
400	1	2302620	SHAFT, GEAR 3RD STAGE
405	1	2302615	SHAFT, GEAR 2ND STAGE
410	2	2321704	WASHER, THRUST
415	2	2321515	LINER, OUTPUT TUBE
420	2	2324608	O-RING, 224
425	2	2321720	SHIM, O-RING
430	2	2327315	BUSHING, ALUMINUM SPACER
435	1	2322200	GEAR, OUTPUT
440	2	2327314	BUSHING, PRO STEERING SW
445	1	2322031	TUBE, OUTPUT MACHINED
450	1	2321510	COLLAR, DRIVE, BOTTOM
455	1	2326507	STEERING HOUSING, BOTTOM
460	1	2320605	LEADWIRE, STEERING
465	1	2322601	PIN, LATCH, SS
470	1	2322603	PIN, PIVOT, SS
475	2	2327310	BUSHING, PIVOT PIN
480	2	2321702	WASHER, FLAT .375
485	2	2263011	E-RING .375
490	2	2322702	SPRING, LATCH PIN
495	1	2323410	SCREW, 8-32 X .75
500	7	2323408	SCREW, 8-32 X 2
510	1	2090651	LEADWIRE, 10 GA
515	4	2305403	SHRINK TUBE, .5 ID X 1.0 ADHESIVE
520	3	2305410	SHRINK TUBE, .315 OD X 2.25"
521	1	2305415	SHRINK TUBE, .472 OD X 2.25"
525	1	2991271	COIL CORD, 60"
530	1	2320202	CAP, DUST, COIL CORD, NON-AP ONLY
535	1	2325643	DECAL, SIDEPLATE, LEFT
540	4	2323405	SCREW, 1/4-20
545	1	2321916	SIDEPLATE, LEFT
550	2	2323403	SCREW, 1/4-20 X .375 SS
555	1	2321927	SKID, LEFT
560	2	2323422	SCREW, 10-24 X .375
565	2	2321700	WASHER, #10 SS
570	2	2322921	STAND-OFF, ALUMINUM ANODIZED
571	2	2323405	SCREW 1/4-20 X 1/2" MCH SS
575	1	2323907	RAMP, 4.5" LEFT
580	4	2325117	PAD, RUBBER REST

PARTS LIST

RIPTIDE TERROVA 112

ITEM	QTY	PART NUMBER	DESCRIPTION
585	4	2321706	WASHER, #8
590	4	2323412	SCREW, 8-18 X .25
595	2	2324706	INSERT, RAMP
600	1	2994203	ARM, RELEASE, LEFT
605	2	2322710	SPRING, EXTENSION
■	1	2770251	COVER, SPEED CONTROL WITH DECAL
620	1	2325651	DECAL, SPEED CONTROL
625	1	2320211	COVER, SPEED CONTROL
630	1	2322901	STRAIN RELIEF
■		2884050	SWITCH-REED REPAIR KIT
635	1	2324023	CONTROL BOARD, I-PILOT/LINK
	1	2324017	CONTROL BOARD
636	1	2320208	DUST PLUG
640	1	2320203	CAP, DUST, CONTROL BOARD
645	2	2323406	SCREW, 10-24 X
650	1	2321315	HOLDER, CONNECTOR
655	2	2332103	SCREW, 6-20 X .375
660	1	2074082	BATTERY METER, 36V
665	4	2323402	SCREW, 1/4-20 X .375
670	1	2321941	BRACKET, STRAIN RELIEF
675	1	2321310	STRAIN RELIEF, WIRE
680	1	2323405	SCREW, 1/4-20 X .5
685	2	2333100	SPEED NUT, .375
690	1	2320216	HANDLE, RELEASE COVER
695	1	2301700	BUSHING,
700	1	2322701	SPRING, RELEASE HANDLE
710	1	2320401	HANDLE, RELEASE SW
715	2	2322712	SPRING, RELEASE HANDLE

ITEM	QTY	PART NUMBER	DESCRIPTION
720	2	2322604	BUSHING, HANDLE
725	2	2332104	SCREW, 1/4-20 X .625
730	2	2323000	E-CLIP, 3/16, SS
735	1	2322607	PIN, FOLLOWER, HANDLE
740	1	2321906	BASE EXTRUSION, MACHINED
741	1	2321721	SHIM, 2 X 4 X .025"
745	2	2322912	SPRING PIN,
750	1	2321951	BRACKET, SIDEPLATE
755	1	2323902	RAMP, 4.5" RIGHT
757	1	2994201	ARM, RELEASE, RIGHT
760	1	2321922	SKID, RIGHT
765	3	2301310	SCREW, 8-18 X .5
770	1	2370221	COVER, ACCESS, SW
772	1	2374097	COPILOT RECIEVER BOARD
775	1	2321911	SIDEPLATE, RIGHT, SW
780	1	2325642	DECAL, SIDEPLATE, RIGHT
850	1	2994095	REMOTE ASSEMBLY
851	1	2372502	CASE, COVER, TRANSMITTER
860	1	2375112	KEYPAD, TRANSMITTER
865	1		TRANSMITTER BOARD
870	1		BATTERY, TRANSMITTER
875	1	2372505	CASE, BOTTOM, TRANSMITTER
880	4	2373440	SCREW, 4-24
■		1378160	PROPELLER KIT WW2 [1000-1020]
■		2994876	PROPELLER BAG ASSY [1010-1020]
1000	1	2341160	PROPELLER WW2
1010	1	2262658	DRIVE PIN, LARGE
1015	1	2091701	WASHER, PROP, LARGE
1020	1	2198401	NUT, ANODE, NYLOCK, PROP, LARGE
■		2994864	MOUNTING HARDWARE BAG ASSY

■ THIS ITEM IS PART OF AN ASSEMBLY.

*THIS ITEM IS PART OF A KIT AND ONLY LISTED FOR VIEWING PURPOSES.

MOTOR WIRING DIAGRAM

NOTE: This is a universal, multi-voltage diagram. Double check your motor's voltage for proper connections. Over-Current Protection Devices not shown in this illustration.

Riptide Terraova 112 is 36-volts only!

